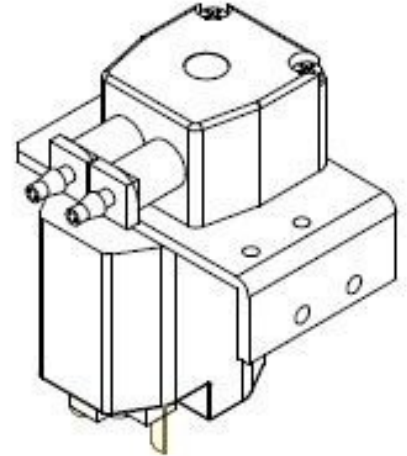


100 series DC powered Pumps

Drawing sheet 1, Brushed DC Motors of 5, 10, 35, 70 & 140 rpm (last updated May 2013)



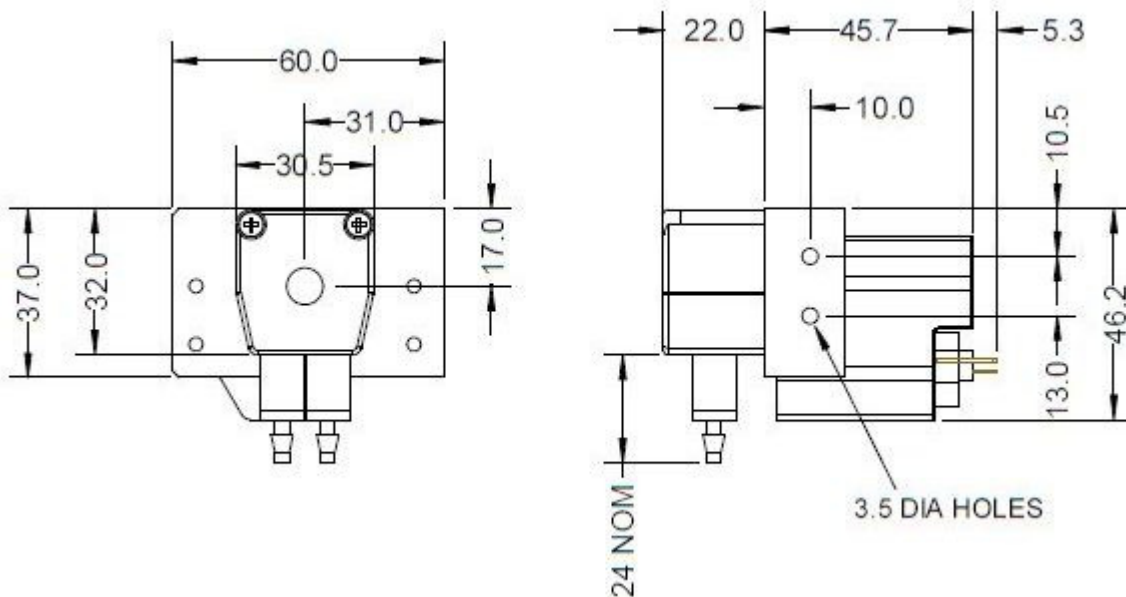
The micro range of peristaltic pumps was designed by the Williamson Manufacturing Company to offer the OEM a low cost compact and reliable means of dosing a wide range of liquids. As with all peristaltic pumps they have excellent suction performance, self-priming up to 5 metres from dry and capable of pumping up to 10m head pressure. Peristaltic pumps offer a good level of accuracy and repeatability and as only the tube contacts the pumped media, they are corrosion resistant, easy to clean and inexpensive to maintain. The 100 series pump heads have an ABS housing, 2 or 4 ground stainless steel rollers, and an acetal roller assembly to ensure durability and performance. Flow rates differ for the 2 and 4 roller assemblies and according to tube size, from <1ml/min up to 18 ml/min



The easiest way to place an order or check prices is via our online shop at <http://www.williamson-shop.co.uk> but please contact us for any requirements not listed or to place an order over the phone.

Please note the drawing on this sheet illustrates Brushed DC Motors of 5, 10, 35, 70 & 140 rpm.

Important: The standard version of this pump is supplied sealed so the tube cannot be changed. The pump has been designed so that when the pump head has worn out it is changed as a whole. We are able to supply pumpheads unsealed for customers that wish to change the tubing periodically. Please contact our office for details.



Williamson Manufacturing Company Ltd

The Street, Poynings, West Sussex, BN45 7AQ, United Kingdom.

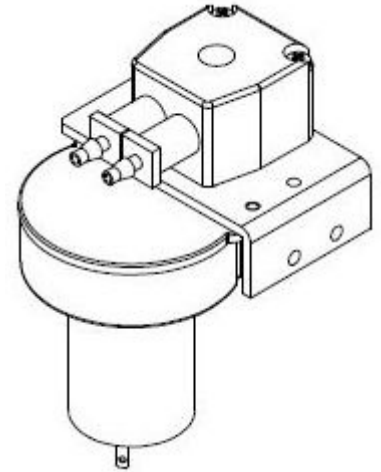
Tel +44(0)1273 857752 Fax +44(0)1273 857511 Web www.wmcpumps.com

100 series DC powered Pumps

Drawing sheet 2, Brushed DC Motors of 120, 150, 220, & 330 rpm (last updated May 2013)



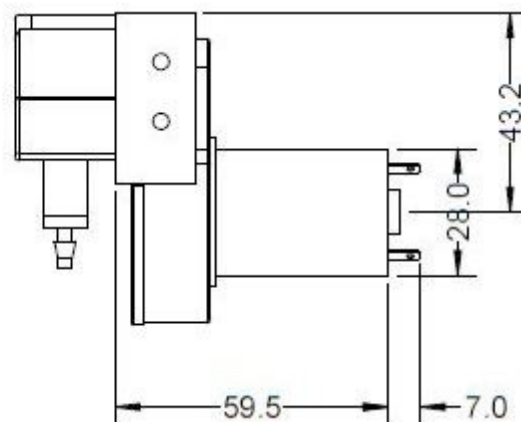
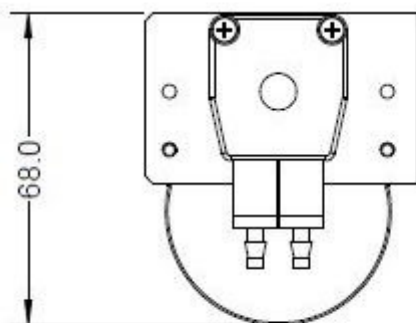
The micro range of peristaltic pumps was designed by the Williamson Manufacturing Company to offer the OEM a low cost compact and reliable means of dosing a wide range of liquids. As with all peristaltic pumps they have excellent suction performance, self-priming up to 5 metres from dry and capable of pumping up to 10m head pressure. Peristaltic pumps offer a good level of accuracy and repeatability and as only the tube contacts the pumped media, they are corrosion resistant, easy to clean and inexpensive to maintain. The 100 series pump heads have an ABS housing, 2 or 4 ground stainless steel rollers, and an acetal roller assembly to ensure durability and performance. Flow rates differ for the 2 and 4 roller assemblies and according to tube size, from <math><1\text{ml}/\text{min}</math> up to 18 ml/min



The easiest way to place an order or check prices is via our online shop at <http://www.williamson-shop.co.uk> but please contact us for any requirements not listed or to place an order over the phone.

Please note the drawing on this sheet illustrates Brushed DC Motors of 120, 150, 220, & 330 rpm.

Important: The standard version of this pump is supplied sealed so the tube cannot be changed. The pump has been designed so that when the pump head has worn out it is changed as a whole. We are able to supply pumpheads unsealed for customers that wish to change the tubing periodically. Please contact our office for details.



Williamson Manufacturing Company Ltd
The Street, Poynings, West Sussex, BN45 7AQ, United Kingdom.
Tel +44(0)1273 857752 Fax +44(0)1273 857511 Web www.wmcpumps.com