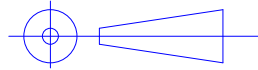
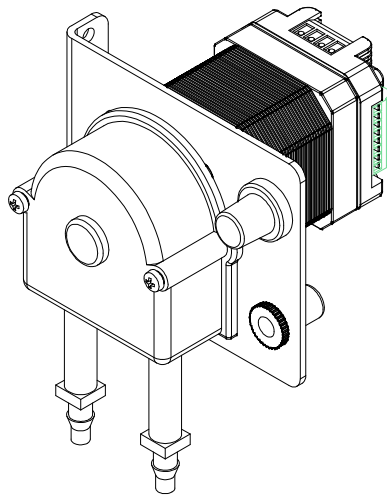
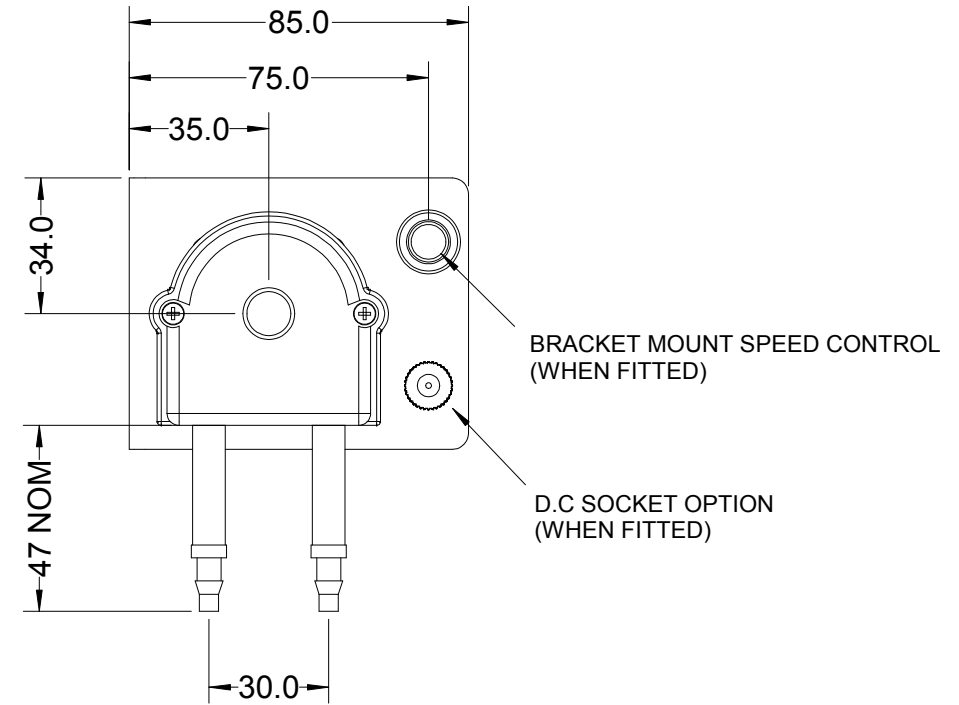
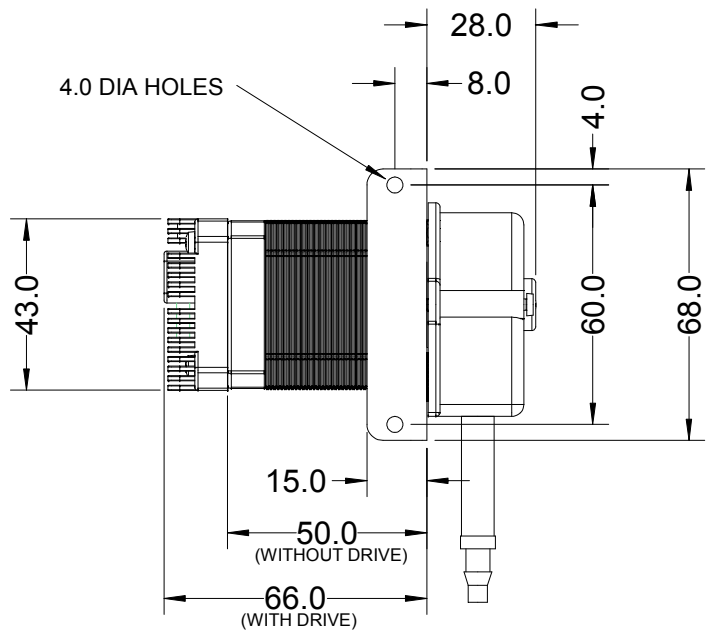


DO NOT SCALE



REV	REVISION NOTE	DATE	DWN	CKD
2	BRACKET SPEED CONTROL UPDATE	07/08/15	DM	



IF IN DOUBT-ASK!		DRAWN DM	CHECKED .	DATE 06/09/11	SCALE
		PRODUCT 200 SERIES STEPPER MOTOR GENERAL		REV 2	SHEET 1 / 1
		DRG No. 52212			
MATERIAL	FINISH	UNLESS OTHERWISE SPECIFIED ALL DIMENSIONS ARE IN M.M. TOLERANCES ARE DECIMAL ANGLES UNITS = ±1 ± 1.0 DEG X = ±0.5 ± 0.5 DEG XX = ±0.25 ± 0.1 DEG		INFORMATION SHOWN ON THIS DOCUMENT INCORPORATES PROPRIETARY RIGHTS AND IS NOT TO BE DUPLICATED WHOLLY OR IN PART WITHOUT THE EXPRESS PERMISSION OF WILLIAMSON MANUFACTURING CO. LTD	

**WILLIAMSON
MANUFACTURING
COMPANY LTD**

TEL : - 01273 857752
FAX : - 01273 857511
E MAIL: info@wmcumps.com
WEBSITE: www.wmcumps.com