

# 300 series Peristaltic Pump with AC Motor



- Extremely long life
- Quiet operation
- Easy tube replacement
- Self priming to 3 metres
- Flow to 250ml per minute

The 300 series range of peristaltic pumps has been designed to offer a low cost means of dosing a wide range of liquids. As with all peristaltic pumps they have excellent suction performance, are self priming up to 3m from dry and capable of pumping up to 12m head pressure. Peristaltic pumps offer a good level of accuracy and repeatability and as only the tube contacts the pumped media (apart from standard pump where the Nylon inlet/outlet moulding also contacts pumped media), they are corrosion resistant, easy to clean, extremely reliable and inexpensive to maintain.

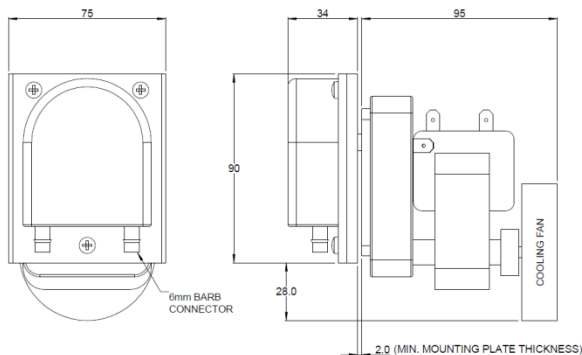
Additionally the 300 series of pumps offer extremely long tube life because of their low friction needle bearing rollers and unique tube centering roller cage. Coupled to this the motor gearboxes are built with ball bearings throughout which also offers exceptional longevity. A special chemical resistant version (PP after part no) is also available that uses polypropylene tube fittings.

The 300 series is available with 50 or 80 rpm AC motors. It is also available as a 50 rpm cased AC pump, as a pump head only (for customers using their own motor) and with DC stepper motors cased or un-cased.

Please see relevant datasheets.

## Dimensions (mm)

## Specifications



| Motor |                      |                    |       |              |
|-------|----------------------|--------------------|-------|--------------|
| Rpm   | Current              | Thermal protection | Class | Connections  |
| 50    | 0.2A 230v<br>50/60Hz | ✓                  | 1     | Flying leads |
| 80    | 0.4A 230v<br>50/60Hz | ✓                  | 1     | ¼" Fastons   |

The Williamson Manufacturing Company Ltd provides no warranty on usage of pumps. We recommend that life tests be carried out prior to use. This information is given in good faith and believed to be correct at the time of publishing. The Williamson Manufacturing Company Ltd cannot accept responsibility for inaccuracy or any errors contained herein. Copyright the Williamson Manufacturing Company Ltd 2008.

**Williamson Manufacturing Co Ltd**  
Unit 5  
Lady Bee Industrial Estate  
Southwick  
West Sussex BN42 4EP UK  
Email: [sales@wmc pumps.com](mailto:sales@wmc pumps.com)

# 300 series Peristaltic Pump with AC Motor

## Materials

| Materials of Construction |                    |
|---------------------------|--------------------|
| Pump Body                 | Polypropylene      |
| Pump cover                | Polypropylene      |
| Rotor                     | Aluminium (plated) |
| Needle bearing rollers    | Stainless steel    |
| Inlet/outlet moulding     | Nylon              |

## Flow

| Tube Size | Silicone Tube | Santoprene | Viton®    | Norprene Chemical® |
|-----------|---------------|------------|-----------|--------------------|
| 3         | 1.1ml/rev     | 1ml/rev    | 0.8ml/rev | 0.9ml/rev          |
| 5         | 2.2ml/rev     | 2ml/rev    | 1.6ml/rev | 1.8ml/rev          |
| 6         | 3.2ml/rev     | 3ml/rev    | 2.4ml/rev | 2.8ml/rev          |

Note: These figures are based on pumping water and are for guidance only. Flow rate is subject to tube tolerance, tube age, back pressure and fluid viscosity.

## Part Numbers

DEVISE YOUR PRODUCT CODE USING THE PRODUCT CODES FROM THE TABLE (RIGHT) WHERE STATED BELOW.  
(PLEASE NOTE EXCLUSIONS LISTED IN TABLE).

SPEED                      TUBE SIZE  
 30  -  - 230 -  -   
TUBE MATERIAL                      CONNECTOR TYPE

FOR EXAMPLE AN 300 SERIES WITH SILICONE TUBE,  
50 RPM, 230V AC WITH 5mm ID TUBE &  
POLYPROPYLENE CONNECTORS WOULD BE:  
300-050-230-050-PP

| OPTIONS  | PRODUCT CODE      |
|--|-------------------|
| <b>TUBE MATERIAL</b><br>SILICONE<br>SANTOPRENE<br>VITON® (3 & 5mm TUBE ONLY)<br>NORPRENE CHEMICAL® | 0<br>1<br>2<br>7  |
| <b>SPEED</b><br>50 RPM<br>80 RPM   | 050<br>080        |
| <b>TUBE SIZE</b><br>3.2mm ID (PP CONNECTORS ONLY)<br>4.8mm ID<br>6.4mm ID (NOT AVAILABLE IN VITON) | 030<br>050<br>060 |
| <b>CONNECTOR TYPE</b><br>POLYPROPYLENE<br>STANDARD (NOT 3MM TUBE)                                  | PP<br>NO CODE     |

The Williamson Manufacturing Company Ltd provides no warranty on usage of pumps. We recommend that life tests be carried out prior to use. This information is given in good faith and believed to be correct at the time of publishing. The Williamson Manufacturing Company Ltd cannot accept responsibility for inaccuracy or any errors contained herein. Copyright the Williamson Manufacturing Company Ltd 2008.

**Williamson Manufacturing Co Ltd**  
Unit 5  
Lady Bee Industrial Estate  
Southwick  
West Sussex BN42 4EP UK  
Email: sales@wmc pumps.com