

### 810 series AC powered Pumps.

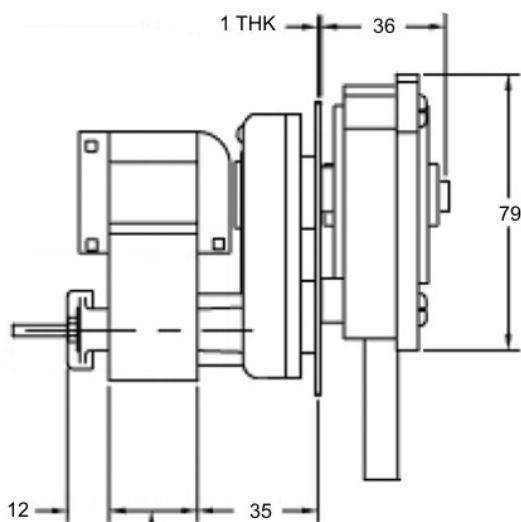
Drawing, for full details please see appropriate specification sheet (last updated Sep 2015)



The ever popular WPL 810 series peristaltic pumps are available in a range of 115v (minimum order quantity applies) or 230v AC motor options with shaded pole gear motor and plastic cooling fan (30RPM is not fitted with a cooling fan). Capable of delivering flow rates as high as 987 ml/min, the pump heads are clear Polycarbonate as standard with a black polypropylene option (shown in picture). All pumps are supplied with stainless steel fasteners. The 810 pumps are self priming up to 29 ft. (8.8m), run up to 20 psi (1.38 bar), are non-siphoning and can be run dry continuously.

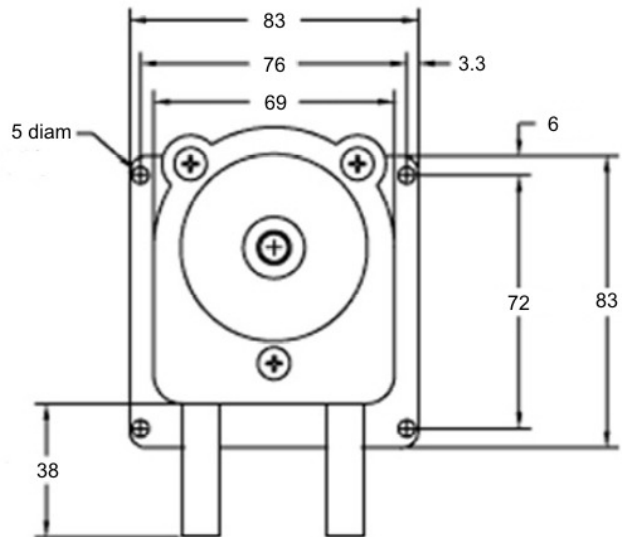
With peristaltic pumps the material to be pumped only comes in contact with the tubing. This is ideal for applications where the product to be moved or pumped should not touch any foreign materials e.g. when dispensing slurries, food products, chemicals, or other difficult to handle fluids. The 810 peristaltic pumps can handle a wide variety of viscosities, from air and gases to heavy slurries, with a consistent positive displacement. It is available in 2 roller (powdered iron with nylon rollers and bronze bearings) or 3 roller (plated steel, stainless steel pinions, nylon rollers) assemblies. These attach directly to the motor output shaft, delivering a precise amount of the product with each revolution. The 810 pump is supplied with a flat mounting plate as standard. There is an optional L shaped bracket available.

The easiest way to place an order or check prices is via our online shop at <http://www.williamson-shop.co.uk> but please contact us for any requirements not listed or to place an order over the phone.



Please note this dimension varies with speed of motor

40 rpm ..... 25 mm  
 90 rpm ..... 40 mm  
 143 rpm ... 50 mm  
 203 rpm ... 50 mm



All Dimensions in mm

## Williamson Manufacturing Company Ltd

The Street, Poynings, West Sussex, BN45 7AQ, United Kingdom.

Tel +44(0)1273 857752 Fax +44(0)1273 857511 Web [www.wmcpumps.com](http://www.wmcpumps.com)