

## 200 SERIES PUMP HEAD ONLY

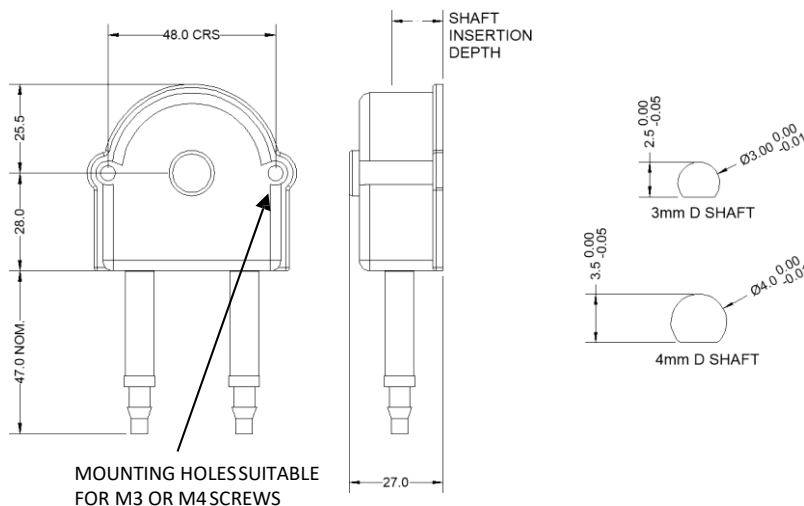
- Compact
- Low Cost
- Various Tube Materials/Sizes
- 2,3,4 or 6 Rollers
- 3 or 4mm “D” motor shaft drive
- Integral Tube Grips



The 200 series peristaltic pump head offers a low cost, compact & reliable means of dosing a wide range of liquids. They are available in various configurations of tubing type & size giving flow rates of between 0.1 & 1.32 ml/rev.

The pump head is designed to be disposable but is assembled using a single screw enabling dis-assembly & re-assembly for tube changing if required.

### DIMENSIONS (mm)



200 SERIES SHAFT INSERTION DEPTHS

	STD ROTOR	
	MIN	MAX
3mm D SHAFT	8.0	24.0
4mm D SHAFT	8.0	12.3

The Williamson Manufacturing Company Ltd provides no warranty on usage of pumps. We recommend that life tests be carried out prior to use. This information is given in good faith and believed to be correct at the time of publishing. The Williamson Manufacturing Company Ltd cannot accept responsibility for inaccuracy or any errors contained herein. Copyright the Williamson Manufacturing Company Ltd 2008.

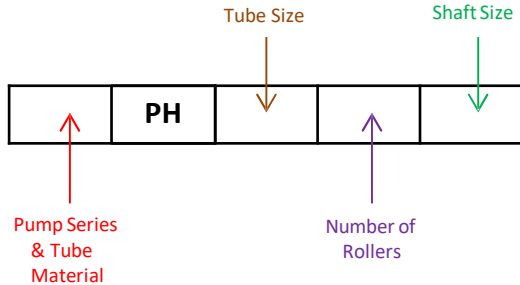


**Williamson Manufacturing Co Ltd**  
Unit 2, Centenary Industrial Estate  
Hughes Road  
Brighton  
East Sussex BN2 4AW  
UK

Email: [sales@williamsonpumps.co.uk](mailto:sales@williamsonpumps.co.uk)

# 200 SERIES PUMP HEAD ONLY

Devise your product code by using codes from the table on the right where stated below.



202-PH-016/34D

Example product code for 200 series pump head fitted with Viton® 1.6mm ID tubing, 3 rollers & suitable for a 4mm Dia "D" shaped shaft

	Product code
<b>Pump series and tube material</b>	
Silicone (Peroxide Cured)	200
Tygon® A60F Norprene (food grade)	201
Viton®	202
Tygon A60G Norprene	205
Tygon Chemical® Norprene (3mm & 5mm only)	207
<b>Tube Size (bore) mm</b>	
1.6	-016
3.0	-030
5.0	-050
<b>Number of rollers</b>	
2	/2
3 (Supplied as standard)	/3
4 (Silicone Tubing or 4mm "D" shaft only)	/4
6 (Silicone Tubing or 4mm "D" shaft only)	/6
<b>"D" size for Motor shaft</b>	
3mm (Standard)	No code required
4mm (Must be used for all 4 & 6 Roller units accept Silicone)	4D

## Materials of construction

Body & Back Plate	Rotor	Rollers
SAN	POM	PA66

## Flow Rates ml per revolution

Flow rates based on silicone tubing. Flow rates for Tygon A60F® will be approx. 10% less, Tygon Chemical® & Viton® will be 20-25% less.

No of Rollers	1.6 ID tube	3.0 ID tube	5.0 ID tube
2	0.22	0.64	1.32
3	0.20	0.59	1.18
4	0.17	0.5	0.94
6	0.14	0.32	0.6

Flow rates for guidance only and subject to tube tolerance, tube age, fluid viscosity & back pressure.

The Williamson Manufacturing Company Ltd provides no warranty on usage of pumps. We recommend that life tests be carried out prior to use. This information is given in good faith and believed to be correct at the time of publishing. The Williamson Manufacturing Company Ltd cannot accept responsibility for inaccuracy or any errors contained herein. Copyright the Williamson Manufacturing Company Ltd 2008.



**Williamson Manufacturing Co Ltd**  
Unit 2, Centenary Industrial Estate  
Hughes Road  
Brighton  
East Sussex BN2 4AW  
UK  
Email: [sales@williamsonpumps.co.uk](mailto:sales@williamsonpumps.co.uk)