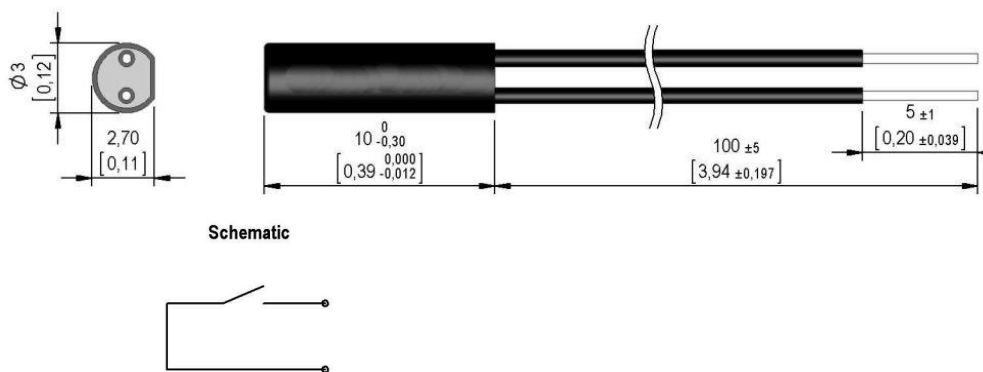


Pump rotation sensor

The pump rotation sensor comprises a magnetically operated reed switch mounted in the back plate of the pump and one magnet (or two 180° apart) mounted in the rear of the rotor. As the pump rotates the magnet passes over the reed switch momentarily closing the contact. The reed switch is supplied with flying leads for customer connection.

Sensor specification:



Cable

PVC single wire AWG30, 105°C, 30V
UL-Style 1685 or 1692
colour of wires: black

Terminals/Connector

Ends tinned

ATTENTION!

mechanically stress not allowed.

Magnetic properties	Conditions	Min	Typ	Max	Unit
Pull-in	at 20°C	50		70	AT
Test equipment		KMS-11 + AP113			

Special Product Data	Conditions	Min	Typ	Max	Unit
Contact - No.				80	
Contact - form				A - NO	
Contact rating	Any DC combination of V & A not to exceed their individual max's			10	W
Switching voltage	DC or Peak AC			30	V
Carry current	DC or Peak AC			0,5	A
Switching current	DC or Peak AC			0,5	A
Sensor-resistance	measured with 40% overdrive			280	mOhm
Housing material				PBT 30%GF	
Case colour				black	
Sealing compound				Polyurethan	
Reach / RoHS conformity				yes	

Environmental data	Conditions	Min	Typ	Max	Unit
Shock	1/2 sine, duration 11ms, in 3 axis			50	g
Vibration	from 10 - 2000 Hz			20	g
Operating temperature	cable not moved	-30		70	°C
Operating temperature	cable moved	-5		70	°C
Storage temperature		-30		70	°C

General data	Conditions	Min	Typ	Max	Unit
Mounting advice		over 5m cable, a resistor is recommended.			
Total weight			0,28		g

The Williamson Manufacturing Company Ltd provides no warranty on usage of pumps. We recommend that life tests be carried out prior to use. This information is given in good faith and believed to be correct at the time of publishing. The Williamson Manufacturing Company Ltd cannot accept responsibility for inaccuracy or any errors contained herein. Copyright the Williamson Manufacturing Company Ltd 2008.

Williamson Manufacturing Co Ltd
Unit 2, Centenary Industrial Estate
Hughes Road
Brighton
East Sussex BN2 4AW UK
Email: sales@williamsonpumps.co.uk